

## SPECIFICATIONS

## Gourmet™ Double Bowl Sink Model LGR3322

### GENERAL

Highest quality sink formed of #18 (1.2mm) gauge, type 304 (18-8) nickel bearing stainless steel. Top Mount.

### DESIGN FEATURES

Bowl Depths: 10" (254mm) Left Bowl, 8" (203mm) Right Bowl.  
Bowl and Faucet Deck Recessed: 3/16"(4.8mm) below outside edge of sink.

Coved Corners: 1-3/4" (44mm) vertical and horizontal radius.  
Finish: Exposed surfaces are hand polished to a Lustrous Highlighted Satin finish.

Underside: Underside of sink is fully protected by heavy duty Sound Guard® undercoating to reduce condensation and dampen sound.

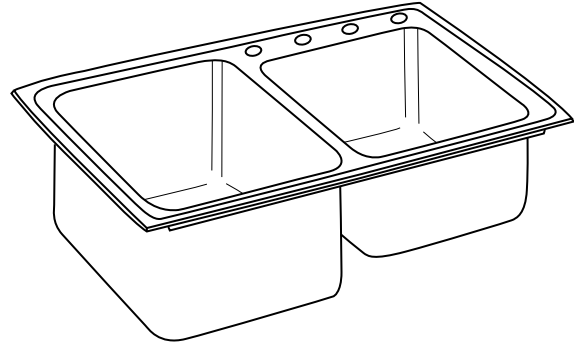
### OTHER

Drain Opening: 3-1/2" (89mm)

Sink complies with ASME A112.19.3-2008 / CSA B45.4-08



These sinks are listed by the International Association of Plumbing and Mechanical Officials as meeting the requirements of the Uniform Plumbing Code.



Model LGR33224

### OPTIONAL ACCESSORIES

Bottom Grids: LKWOBG1418SS (large bowl), LKWOBG1316SS (small bowl)

Cutting Boards: CBR1418 (large bowl), CBR1316 (small bowl), CBS1418 (large bowl), CBS1316 (small bowl)  
CB1613 (small bowl), CB1713 (small bowl)

Drain: LK99

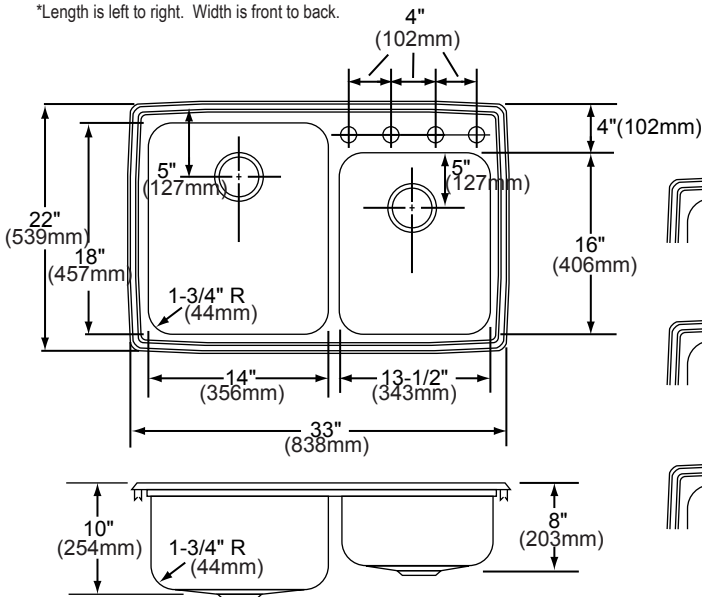
Rinsing Baskets: LKWRB1418SS (large bowl), LKWRB1316SS (small bowl), LKWERBSS (either bowl)

Utensil Caddy for Rinsing Basket: LKWUCSS

### SINK DIMENSIONS\*

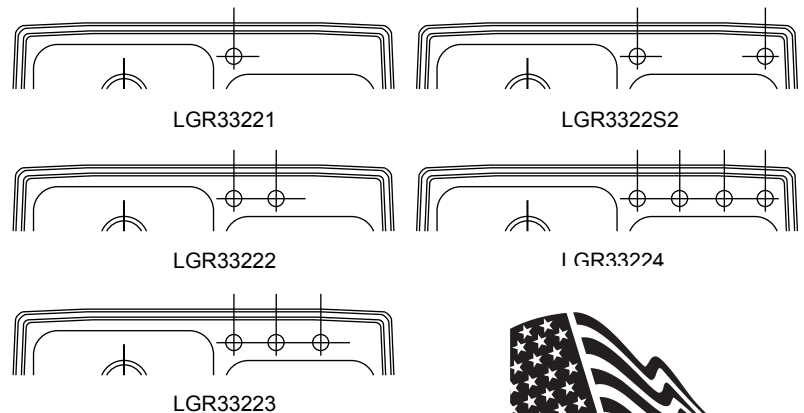
Model Number	Overall		Inside Left Bowl			Inside Right Bowl			Cutout in Countertop (1 1/2" (38mm) Radius Corners)		No. of 1 1/2" (38mm) Dia. Faucet Holes 4" (102mm) Center	Minimum Cabinet Size
	L	W	L	W	D	L	W	D	L	W		
LGR3322	33 (838mm)	22 (559mm)	14 (356mm)	18 (457mm)	10 (254mm)	13-1/2 (343mm)	16 (406mm)	8 (203mm)	32-3/8 (822mm)	21-3/8 (543mm)	1, 2, S2, 3, or 4	36 (914mm)

\*Length is left to right. Width is front to back.



Model LGR33224 Illustrated

### HOLE DRILLING CONFIGURATIONS



**SINKS ARE  
MADE IN THE USA**

In keeping with our policy of continuing product improvement, Elkay reserves the right to change product specifications without notice. Please visit [elkayusa.com](http://elkayusa.com) for most current version of Elkay product specification sheets.

This specification describes an Elkay product with design, quality, and functional benefits to the user. When making a comparison of others producers offerings, be certain these features are not overlooked.